

**EINZELTEIL-LISTEN**

**SPARE-PARTS-LISTS**

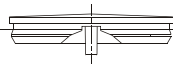
**Für das  
Versenkregnerprogramm**

**For  
pop-up-sprinklers**

**HYDRA-XS  
HYDRA-S**

# HYDRA-S & -XS H / WH / -S WDH Einsatz / Insert


RTV7 14365  
Wende / Part Circle



RTV7 14393  
Kreis / Full Circle

RTC5 14441  
Stopfen / Plug



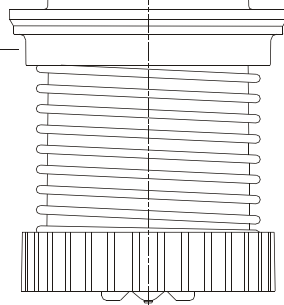
Düse /  
Nozzle 

ZK18 93780

RTC5 14440  
Düse / Nozzle

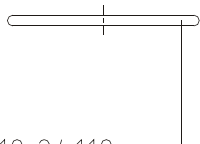


RBK6 14401  
Wende / Part Circle



RBK6 14400  
Kreis / Full Circle

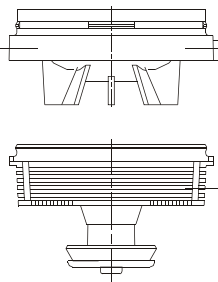
ZK18 24119



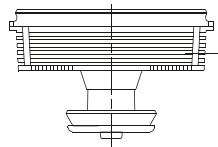
Montage-Werkzeug  
Assembling Tool

ZB11 98276  
für Düsenwechsel/  
for changing nozzle

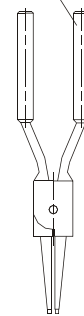
RTV7 14449  
nur für Hydra-XS H  
4mm Düse (natur)  
only for Hydra-XS H  
4mm Nozzle (nature)



RTV7 14317  
(schwarz / black)




RBK2 14403



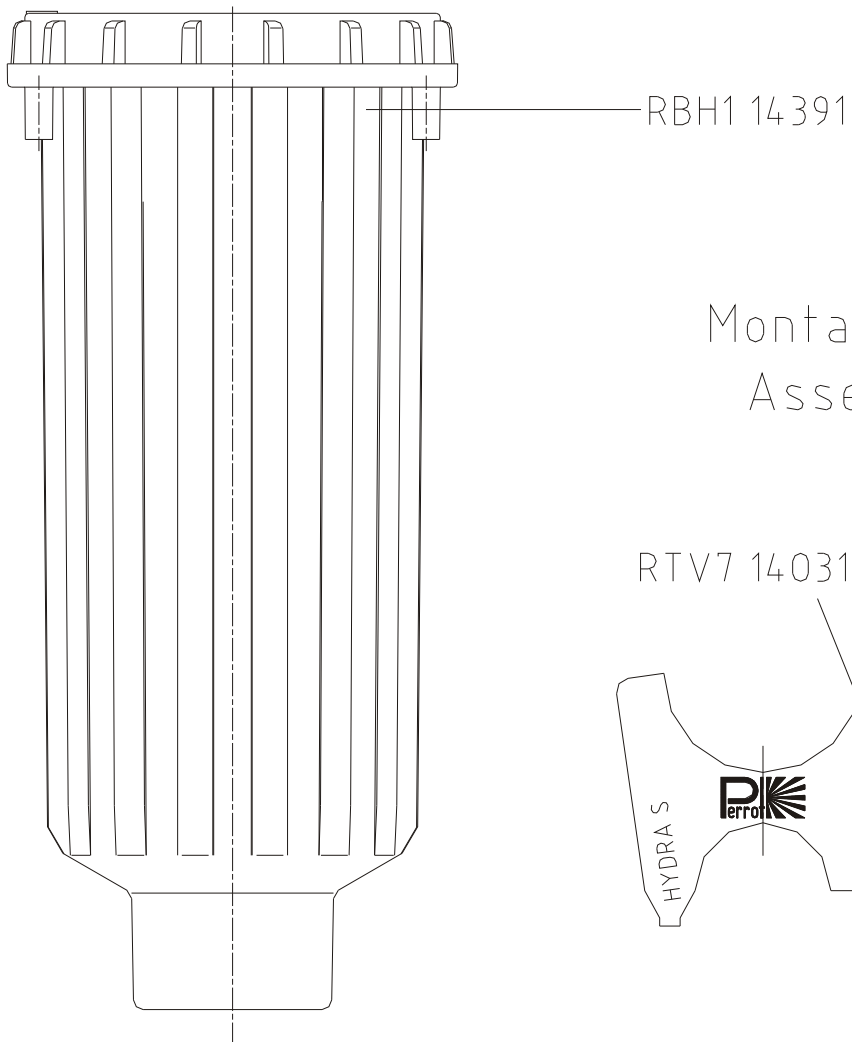
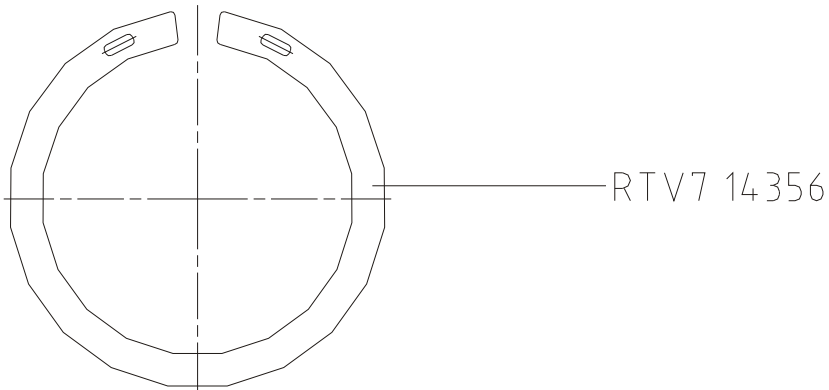
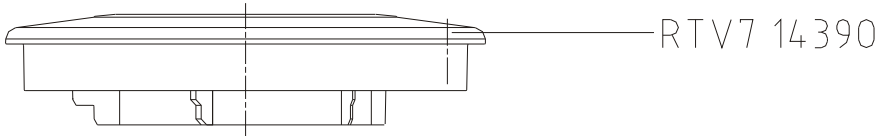
Hydra-S H Kreis-Einsatz/ Full Circle Insert	Hydra-S WH Wende-Einsatz / Part Circle Insert	Hydra-S WDH Wende-Einsatz / Part Circle Insert
RBA3 14585 9,0mm	RBA3 14595 9,0mm	RBA3 14625 9,0mm
RBA3 14584 8,0mm	RBA3 14594 8,0mm	RBA3 14624 8,0mm
RBA3 14583 7,0mm	RBA3 14593 7,0mm	RBA3 14623 7,0mm
RBA3 14582 6,0mm	RBA3 14592 6,0mm	RBA3 14622 6,0mm
RBA3 14581 5,0mm	RBA3 14591 5,0mm	RBA3 14621 5,0mm
RBA3 14580 4,0mm	RBA3 14590 4,0mm	RBA3 14620 4,0mm

Hydra-XS H Kreis-Einsatz/ Full Circle Insert	Hydra-XS WH Wende-Einsatz / Part Circle Insert
RBA3 14652 6,0mm	RBA3 14657 6,0mm
RBA3 14651 5,0mm	RBA3 14656 5,0mm
RBA3 14650 4,0mm	RBA3 14655 4,0mm

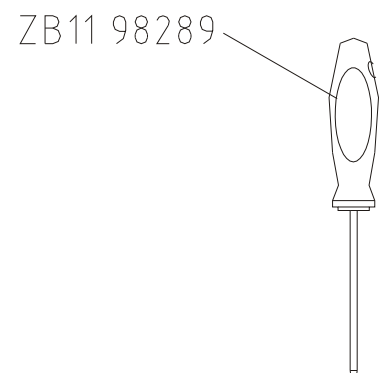
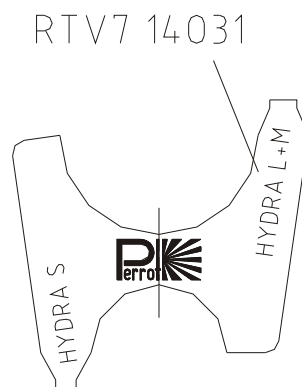
	 Düse / Nozzle	
	Hydra- S H/WH/WDH	Hydra- XS H/WH
ø9,0 mm	RBE2 14666	
ø8,0 mm	RBE2 14665	
ø7,0 mm	RBE2 14664	
ø6,0 mm	RBE2 14663	RTV7 14452
ø5,0 mm	RBE2 14662	RTV7 14451
ø4,0 mm	RBE2 14661	RTV7 14450

Stand: 07.10.2011  
ERV9 00338

# HYDRA-S & -XS H/WH Gehäuse / Unterbau / Cover

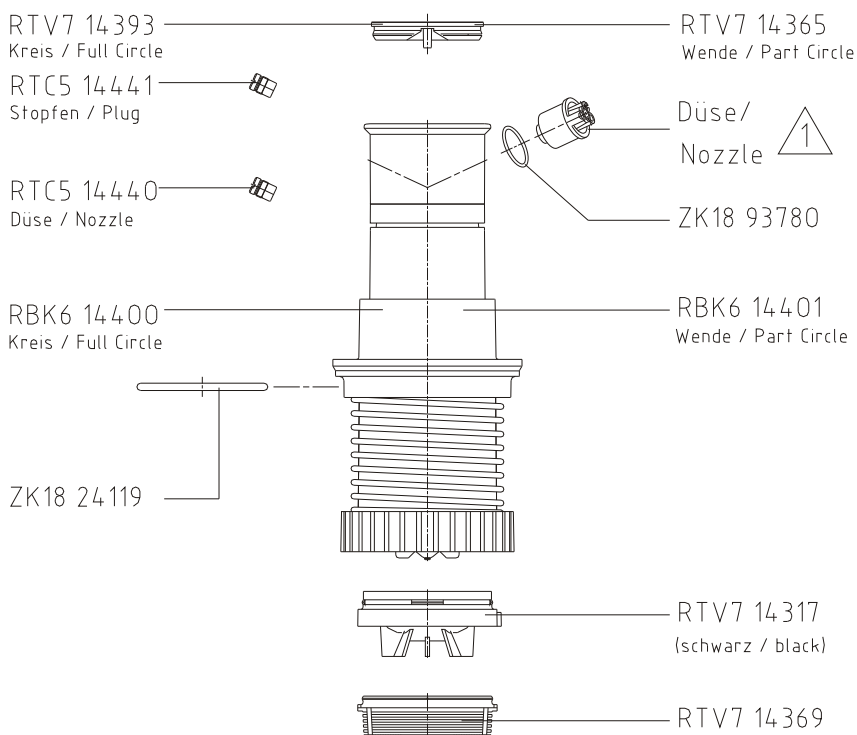


Montage-Werkzeug  
Assembling Tool



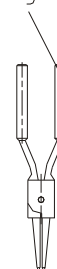
Stand: 29.09.2010  
ERV9 00339

# HYDRA-S VAC / WVAC / WDVAC Einsatz / Insert




Montage-Werkzeug  
Assembling Tool

ZB11 98276  
für Düsenwechsel/  
for change Nozzle

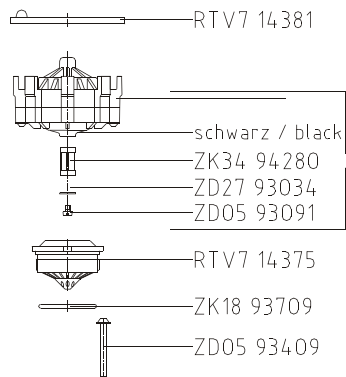
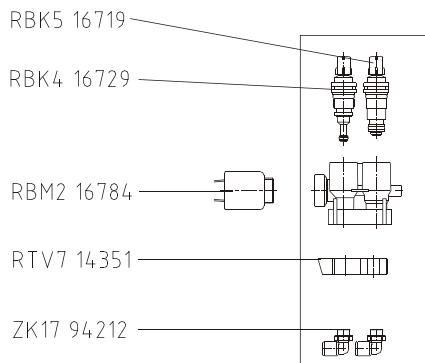
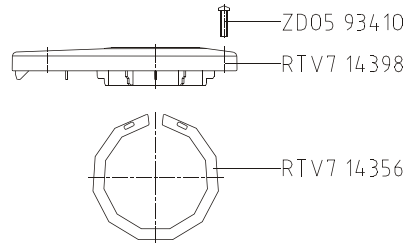


Hydra-S VAC Kreis-Einsatz/ Full Circle Insert	Hydra-S WVAC Wende-Einsatz / Part Circle Insert	Hydra-S WDVAC Wende-Einsatz / Part Circle Insert
RBA3 14605 9,0mm	RBA3 14615 9,0mm	RBA3 14635 9,0mm
RBA3 14604 8,0mm	RBA3 14614 8,0mm	RBA3 14634 8,0mm
RBA3 14603 7,0mm	RBA3 14613 7,0mm	RBA3 14633 7,0mm
RBA3 14602 6,0mm	RBA3 14612 6,0mm	RBA3 14632 6,0mm
RBA3 14601 5,0mm	RBA3 14611 5,0mm	RBA3 14631 5,0mm
RBA3 14600 4,0mm	RBA3 14610 4,0mm	RBA3 14630 4,0mm

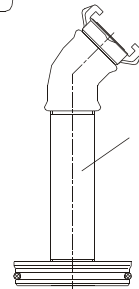
 Düse / Nozzle	
ø9,0 mm	RBE2 14666
ø8,0 mm	RBE2 14665
ø7,0 mm	RBE2 14664
ø6,0 mm	RBE2 14663
ø5,0 mm	RBE2 14662
ø4,0 mm	RBE2 14661

Stand: 07.10.2011  
ERV9 00336

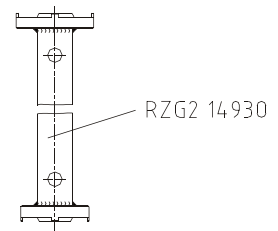
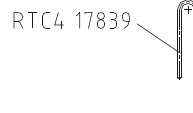
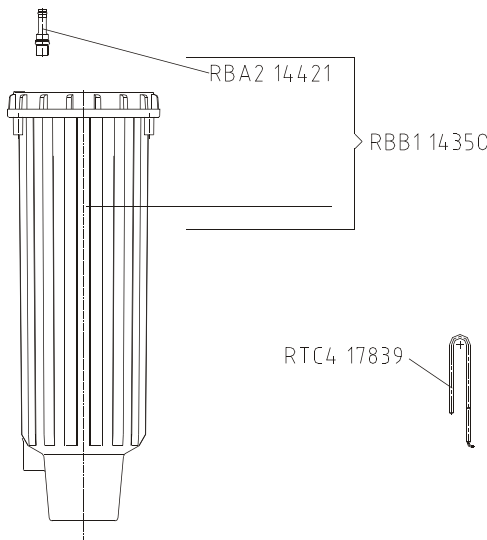
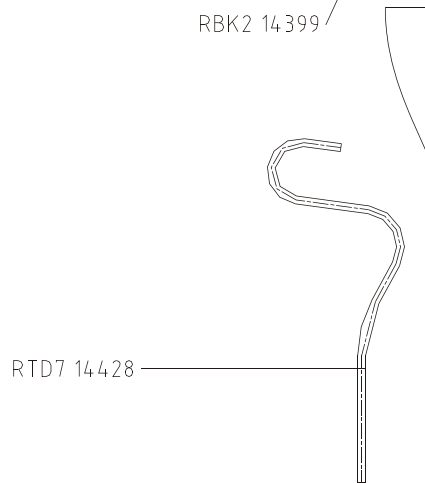
# HYDRA-S VAC / WVAC / WDVAC Gehäuse / Unterbau / Cover



Montage-Werkzeug  
Assembling Tool



RBK5 14420



Stand: 18.11.2011  
ERV9 00337

# Preisliste / Price list

Art.Nr.	Artikelbezeichnung	Description	VK-Preis/Stück Price per unit Euro €
RBA214421	ANSCHLUßSCHRAUBE KPL.	CONNECTING BOLT ASSY.	2,63
RBA314580	HYDRA-S H 4,0MM/EINSATZ	HYDRA-S H 4,0MM/INSERT	93,00
RBA314581	HYDRA-S H 5,0MM/EINSATZ	HYDRA-S H 5,0MM/INSERT	93,00
RBA314582	HYDRA-S H 6,0MM/EINSATZ	HYDRA-S H 6,0MM/INSERT	93,00
RBA314583	HYDRA-S H 7,0MM/EINSATZ	HYDRA-S H 7,0MM/INSERT	93,00
RBA314584	HYDRA-S H 8,0MM/EINSATZ	HYDRA-S H 8,0MM/INSERT	93,00
RBA314585	HYDRA-S H 9,0MM/EINSATZ	HYDRA-S H 9,0MM/INSERT	93,00
RBA314590	HYDRA-S WH 4,0MM/EINSATZ	HYDRA-S WH 4,0MM/INSERT	109,00
RBA314591	HYDRA-S WH 5,0MM/EINSATZ	HYDRA-S WH 5,0MM/INSERT	109,00
RBA314592	HYDRA-S WH 6,0MM/EINSATZ	HYDRA-S WH 6,0MM/INSERT	109,00
RBA314593	HYDRA-S WH 7,0MM/EINSATZ	HYDRA-S WH 7,0MM/INSERT	109,00
RBA314594	HYDRA-S WH 8,0MM/EINSATZ	HYDRA-S WH 8,0MM/INSERT	109,00
RBA314595	HYDRA-S WH 9,0MM/EINSATZ	HYDRA-S WH 9,0MM/INSERT	109,00
RBA314600	HYDRA-S VAC 4,0MM/EINSATZ	HYDRA-S VAC 4,0MM/INSERT	93,00
RBA314601	HYDRA-S VAC 5,0MM/EINSATZ	HYDRA-S VAC 5,0MM/INSERT	93,00
RBA314602	HYDRA-S VAC 6,0MM/EINSATZ	HYDRA-S VAC 6,0MM/INSERT	93,00
RBA314603	HYDRA-S VAC 7,0MM/EINSATZ	HYDRA-S VAC 7,0MM/INSERT	93,00
RBA314604	HYDRA-S VAC 8,0MM/EINSATZ	HYDRA-S VAC 8,0MM/INSERT	93,00
RBA314605	HYDRA-S VAC 9,0MM/EINSATZ	HYDRA-S VAC 9,0MM/INSERT	93,00
RBA314610	HYDRA-S WVAC 4,0MM/EINSATZ	HYDRA-S WVAC 4,0MM/INSERT	109,00
RBA314611	HYDRA-S WVAC 5,0MM/EINSATZ	HYDRA-S WVAC 5,0MM/INSERT	109,00
RBA314612	HYDRA-S WVAC 6,0MM/EINSATZ	HYDRA-S WVAC 6,0MM/INSERT	109,00
RBA314613	HYDRA-S WVAC 7,0MM/EINSATZ	HYDRA-S WVAC 7,0MM/INSERT	109,00
RBA314614	HYDRA-S WVAC 8,0MM/EINSATZ	HYDRA-S WVAC 8,0MM/INSERT	109,00
RBA314615	HYDRA-S WVAC 9,0MM/EINSATZ	HYDRA-S WVAC 9,0MM/INSERT	109,00
RBA314620	HYDRA-S WDH 4,0MM/EINSATZ	HYDRA-S WDH 4,0MM/INSERT	109,00
RBA314621	HYDRA-S WDH 5,0MM/EINSATZ	HYDRA-S WDH 5,0MM/INSERT	109,00
RBA314622	HYDRA-S WDH 6,0MM/EINSATZ	HYDRA-S WDH 6,0MM/INSERT	109,00
RBA314623	HYDRA-S WDH 7,0MM/EINSATZ	HYDRA-S WDH 7,0MM/INSERT	109,00
RBA314624	HYDRA-S WDH 8,0MM/EINSATZ	HYDRA-S WDH 8,0MM/INSERT	109,00
RBA314625	HYDRA-S WDH 9,0MM/EINSATZ	HYDRA-S WDH 9,0MM/INSERT	109,00
RBA314630	HYDRA-S WDVAC 4,0MM/EINSATZ	HYDRA-S WDVAC 4,0MM/INSERT	109,00
RBA314631	HYDRA-S WDVAC 5,0MM/EINSATZ	HYDRA-S WDVAC 5,0MM/INSERT	109,00
RBA314632	HYDRA-S WDVAC 6,0MM/EINSATZ	HYDRA-S WDVAC 6,0MM/INSERT	109,00
RBA314633	HYDRA-S WDVAC 7,0MM/EINSATZ	HYDRA-S WDVAC 7,0MM/INSERT	109,00
RBA314634	HYDRA-S WDVAC 8,0MM/EINSATZ	HYDRA-S WDVAC 8,0MM/INSERT	109,00
RBA314635	HYDRA-S WDVAC 9,0MM/EINSATZ	HYDRA-S WDVAC 9,0MM/INSERT	109,00
RBA314650	HYDRA-XS H 4,0MM/EINSATZ	HYDRA-XS H 4,0MM/INSERT	93,00
RBA314651	HYDRA-XS H 5,0MM/EINSATZ	HYDRA-XS H 5,0MM/INSERT	93,00
RBA314652	HYDRA-XS H 6,0MM/EINSATZ	HYDRA-XS H 6,0MM/INSERT	93,00
RBA314655	HYDRA-XS WH 4,0MM/EINSATZ	HYDRA-XS WH 4,0MM/INSERT	109,00
RBA314656	HYDRA-XS WH 5,0MM/EINSATZ	HYDRA-XS WH 5,0MM/INSERT	109,00
RBA314657	HYDRA-XS WH 6,0MM/EINSATZ	HYDRA-XS WH 6,0MM/INSERT	109,00
RBB114350	HYDRA-S F.GEHÄUSE MIT SCHRAUBE	HYDRA-S GUIDE HOUSING W, SCREW	49,00
RBE214661	DÜSE HYDRA-S/ -XS 4.0 MM	NOZZLE HYDRA-S / -XS 4,0 MM	3,10
RBE214662	DÜSE HYDRA-S/ -XS 5.0 MM	NOZZLE HYDRA-S / -XS 5,0 MM	3,10
RBE214663	DÜSE HYDRA-S/ -XS 6.0 MM	NOZZLE HYDRA-S / -XS 6,0 MM	3,10
RBE214664	DÜSE HYDRA-S/ -XS 7.0 MM	NOZZLE HYDRA-S / -XS 7,0 MM	3,10
RBE214665	DÜSE HYDRA-S/ -XS 8.0 MM	NOZZLE HYDRA-S / -XS 8,0 MM	3,10
RBE214666	DÜSE HYDRA-S/ -XS 9.0 MM	NOZZLE HYDRA-S / -XS 9,0 MM	3,10
RBH114391	HYDRA-S 1" H-FÜHRUNGSGEHÄUSE	GUIDE HOUSING	35,70
RBK214399	DRUCKREGELVENTIL HYDRA-S	PRESSURE REGULATOR HYDRA-S	55,65
RBK214403	STOPPVENTIL HYDRA-S H	STOP VALVE	5,78
RBK416729	HANDSTEUERUNG MONT.	MANUELL CONTROL SCREW	6,83
RBK514402	VENTILEINSATZ HYDRA-S	VALVE INSERT HYDRA-S	26,25
RBK516719	DRUCKREGLER	PRESSURE REGULATOR ASSY FOR	10,82
RBK614400	HYDRA-S GRUNDEINSATZ KREIS	HYDRA-S INSERT FULL CIRCLE	99,75
RBK614401	HYDRA-S GRUNDEINSATZ WENDE	HYDRA-S INSERT PART CIRCLE	109,20
RBM216784	LVZE 22 MAGNETSPULE AC	LVZE 22 SOLENOID ASSY AC	47,10
RTC417839	AUSBAUHAKEN-SICHER. LVZR 22-3V	HOOK LVZR 22-3V	12,31
RTC514440	A-DÜSE HYDRA-S 4,2 MM	A-NOZZLE HYDRA-S 4,2 MM	1,05
RTC514441	STOPFEN/AUSGLEICHSDÜSE HYDRA-S	PLUG A-NOZZLE HYDRA-S	0,84

# Preisliste / Price list

Art.Nr.	Artikelbezeichnung	Description	VK-Preis/Stück Price per unit Euro €
RTD714428	PA FORMROHR LANG / HYDRA-S	PA PIPE LONG / HYDRA-S	2,52
RTV714031	SICHERUNGSHALTER /	RETAINER / SPRINKLER HEAD	0,63
RTV714317	EINLAUFDÜSE/HYDRA-S	INLET NIYYLE HYDRA-S	1,79
RTV714351	HALTEPLATTE/DRUCKREGL. HYDRA-S	RETAINING PLATE HYDRA-S	1,05
RTV714356	SICHER.RING AUFSTEIGER HYDRA-S	RETAINING RING FOR RISER	1,16
RTV714365	HYDRA-S REG.KOPFDECKEL W	HYDRA-S-W COVER SPRINKLER HEAD	0,53
RTV714369	SIEB Z. AUFSTEIGER/HYDRA-S	STRAINER SPRINKLER INSERT	2,05
RTV714375	GROBFILTER/VENTILSITZ HYDRA-S	COARSE FILTER	1,58
RTV714381	SICHERUNGSRING VENTIL HYDRA-S	RETAINING RING	1,05
RTV714390	HYDRA-S H GEHÄUSEDECKEL	HOUSING COVER	6,09
RTV714393	HYDRA-S REG.KOPFDECKEL K	HYDRA-S-K COVER SPRINKLER HEAD	3,15
RTV714395	SCHUTZGEHÄUSE/HYDRA-S	PROTECTION HOUSING HYDRA-S	9,24
RTV714398	HYDRA-S V GEHÄUSEDECKEL	COVER FOR PROTECT. HOUSING HYDRA-S	2,63
RTV714449	EINLAUFDÜSE/HYDRA-XS 4MM-DÜSE	INLET NOZZLE / HYDRA-XS 4MM-DÜSE	1,68
RTV714450	HYDRA-XS DÜSE 4 MM	HYDRA-XS NOZZLE 4 MM	3,10
RTV714451	HYDRA-XS DÜSE 5 MM	HYDRA-XS NOZZLE 5 MM	3,10
RTV714452	HYDRA-XS DÜSE 6 MM	HYDRA-XS NOZZLE 6 MM	3,10
RZB214934	HYDRA M/S SPÜLEINSATZ	HYDRA-M/S FLUSHING EQUIPMENT	62,43
RZG214930	HYDRA-M/S SCHLÜSSEL/GROBFILTER	HYDRA-M/S KEY COARSE FILTER	130,04
RZG217844	ZANGE-SICHERUNGSRING LVZR22-3V	LVZR 22-2V SNAP RING TOOL	75,60
ZB1198276	SICHERUNGSRINGZANGE	COLLET RETAINING RING	36,75
ZB1198289	SCHRAUBENDREHER TORX 20IP	TORX KEY	18,90
ZD0593091	M 4x5 LINSENSCHRAUBE	M 4x5 OVAL HEAD SCREW	1,25
ZD0593409	35x30 EJOT DELTA PT-SCHRAUBE	35x30 EJOT DELTA PT-SCREW	0,53
ZD0593410	40x20 EJOT DELTA PT-SCHRAUBE	40x20 EJOT DELTA PT-SCREW	0,53
ZD2793034	MS-SCHEIBE A 4,3	PLAIN WASHERS 4,3	0,53
ZK1794212	WINKELSCHRAUBANSCHLUSS	ELBOW CONNECTION	5,78
ZK1824119	O-RING D=72,39x5,33	O-RING DIA =72,39x5,22	0,60
ZK1893709	O-RING D=44x3,0	O-RING DIA =44x3,0	0,53
ZK1893780	O-RING D=17x1,5	O-RING DIA =17x1,5	0,53
ZK3494280	LVZR 22-2VE ROHRSIEB	FILTER INSERT	3,26

## UNSER LIEFERPROGRAMM

<b>Regner</b>	für die Landwirtschaft, Forstwirtschaft, Gartenbau, Baumschulen und Umwelttechnik
<b>Versenkregner</b>	für Sport-, Tennis- und Golfanlagen, öffentliches Grün und Hausgärten
<b>Gartenregner</b>	Kreis-, Wende- und Viereckregner für den anspruchsvollen Garten
<b>PE-Kupplungen</b>	für PE-Erdleitungen
<b>Kardan-Kupplung</b>	für Rohre und Formteile aus Stahl verzinkt und Edelstahl (Material 1.4404)

## OUR SALES PROGRAMM

<b>Sprinklers</b>	for agriculture, horticulture, forestry, tree nurseries and environment protection
<b>Pop-up-sprinklers</b>	for sportfields, tennis courts, golf courses, public greens and private gardens
<b>Garden sprinklers</b>	full and part circle sprinklers as well as quadrangle sprinklers for fastidious gardens
<b>PE-couplings</b>	for PE-pipes
<b>Cardan couplings</b>	for pipes and fittings made of galvanized steel and stainless steel (material 1.4404)